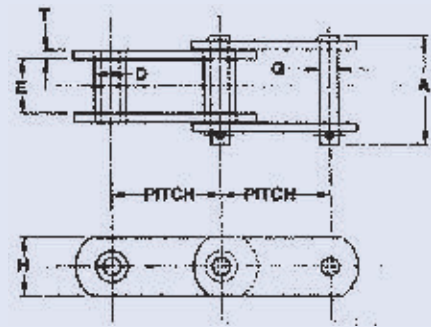
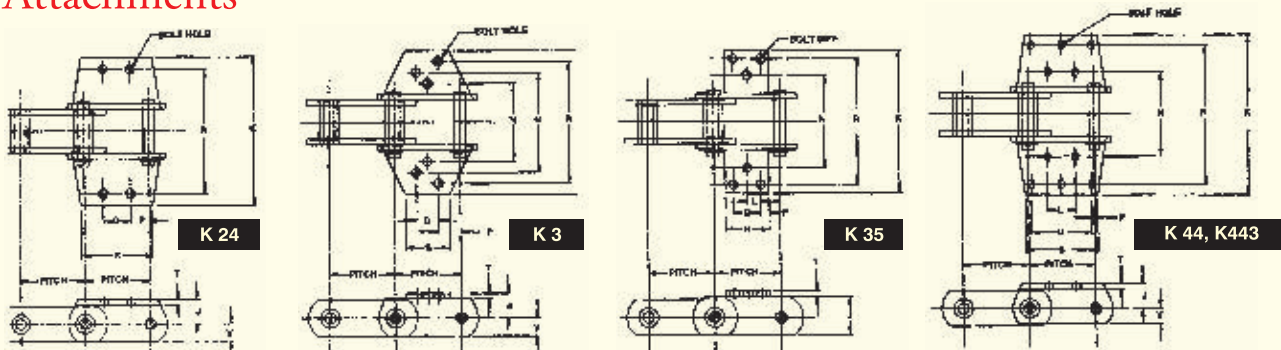


Bucket Elevator



Diamond Chain No.	Eqvt. Tsubaki Chain No.	Pitch	Width		Bushing Dia D	Pin Dia G	Link Plate		Avg. Tensile Strength Kg.
			A	E			Height H	Thick T	
SP 6111	*	120.90	125.50	66.70	36.50	19.05	50.80	9.50	22,680
SP 6844	*	152.40	132.55	63.50	28.60	19.05	50.80	12.90	31,750
SP 4856	*	152.40	155.57	76.20	44.45	25.40	63.50	12.70	65,800
SP 4857	BF 4857	152.40	155.57	76.20	44.45	25.40	82.55	12.70	78,800
SP 0958	*	152.40	155.60	76.20	50.80	28.60	83.50	14.00	86,000
SP 4859	*	152.40	187.32	95.25	60.32	31.75	101.60	16.00	1,19,600
SP 4864	BF 4864	177.80	187.32	95.25	60.32	31.75	101.60	16.00	1,24,500
SP 0984	*	177.80	188.00	95.25	63.50	34.90	101.60	16.00	1,24,500

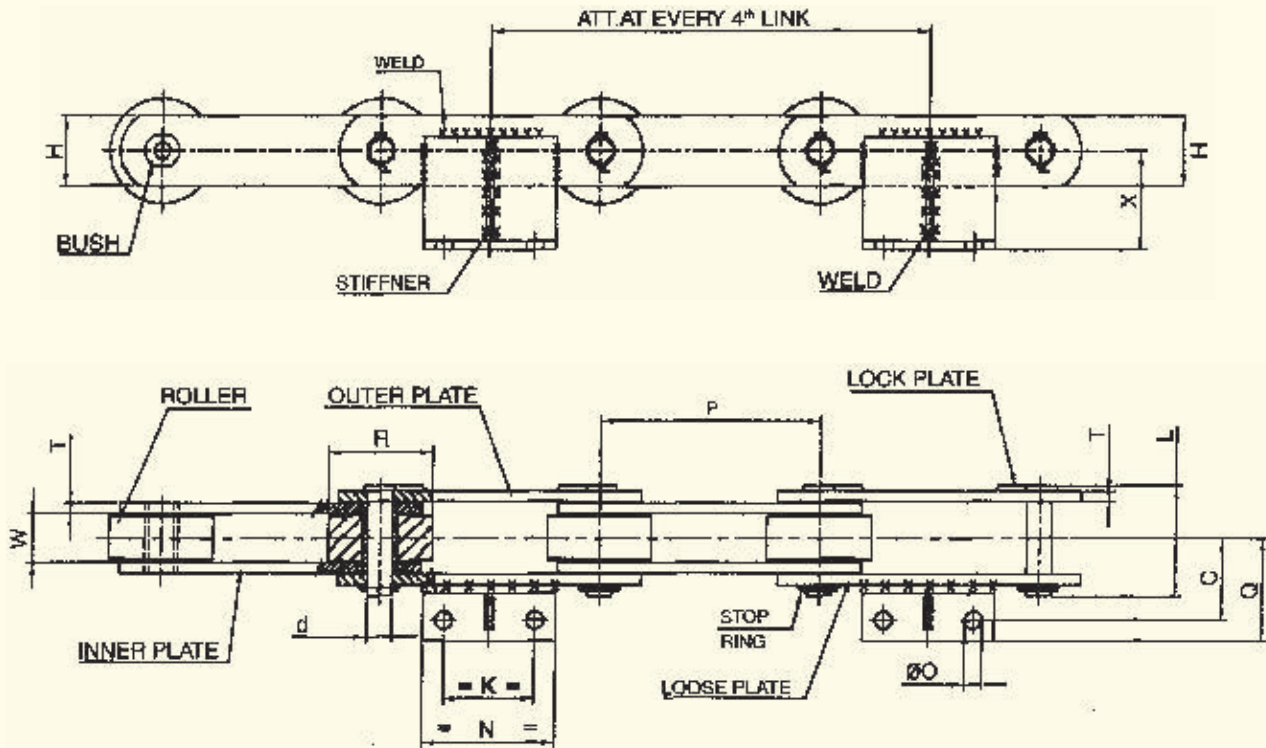
Attachments



Attach No.	Diamond Chain No.	N	M	R	K	L	Q	S	P	Bolt hole Dia	J	T	V
K21	SP 6111	-	-	158.75	196.85	-	-	-	58.74	12.70	38.10	9.50	25.40
K24	SP 6111	-	-	184.15	241.30	-	-	-	63.50	16.00	47.60	12.70	25.40
K2	SP 6844	-	-	166.70	207.95	-	-	-	69.85	12.70	31.75	12.70	25.40
K3	SP 4856	166.70	277.80	304.80	342.90	-	69.85	177.80	41.28	15.00	47.60	12.70	31.75
K35	SP 4856	184.15	-	298.45	342.90	-	63.50	177.80	44.45	18.00	47.60	12.70	31.75
K24	SP 4856	-	-	184.15	263.50	-	63.50	184.15	44.45	18.00	47.60	12.70	31.75
K44 Complete with 8 AH holes	SP 4857	177.80	-	304.80	368.30	88.90	88.90	163.50	31.75	15.00	63.50	12.70	31.75
	SP 4859	228.60	-	330.20	383.40	69.85	114.30	165.10	19.05	18.00	76.20	16.00	38.10
K443	SP 4864	228.60	-	330.20	383.40	95.25	139.70	217.50	19.05	18.00	76.20	16.00	44.45
K443	SP 0984	228.60	-	330.20	370.00	95.25	139.70	183.00	23.15	17.50	76.20	16.00	45.00

- Note: 1. Dimensions are in mm, and are indicative. For details please ask for a detailed drawing.
 2. Attachment hole can be modified to suit bolt size.
 3. SP 4857 & SP 4864 only are under Tsubaki Technical Collaboration.
 4. TIDC is entitled to introduce design change without prior notice.

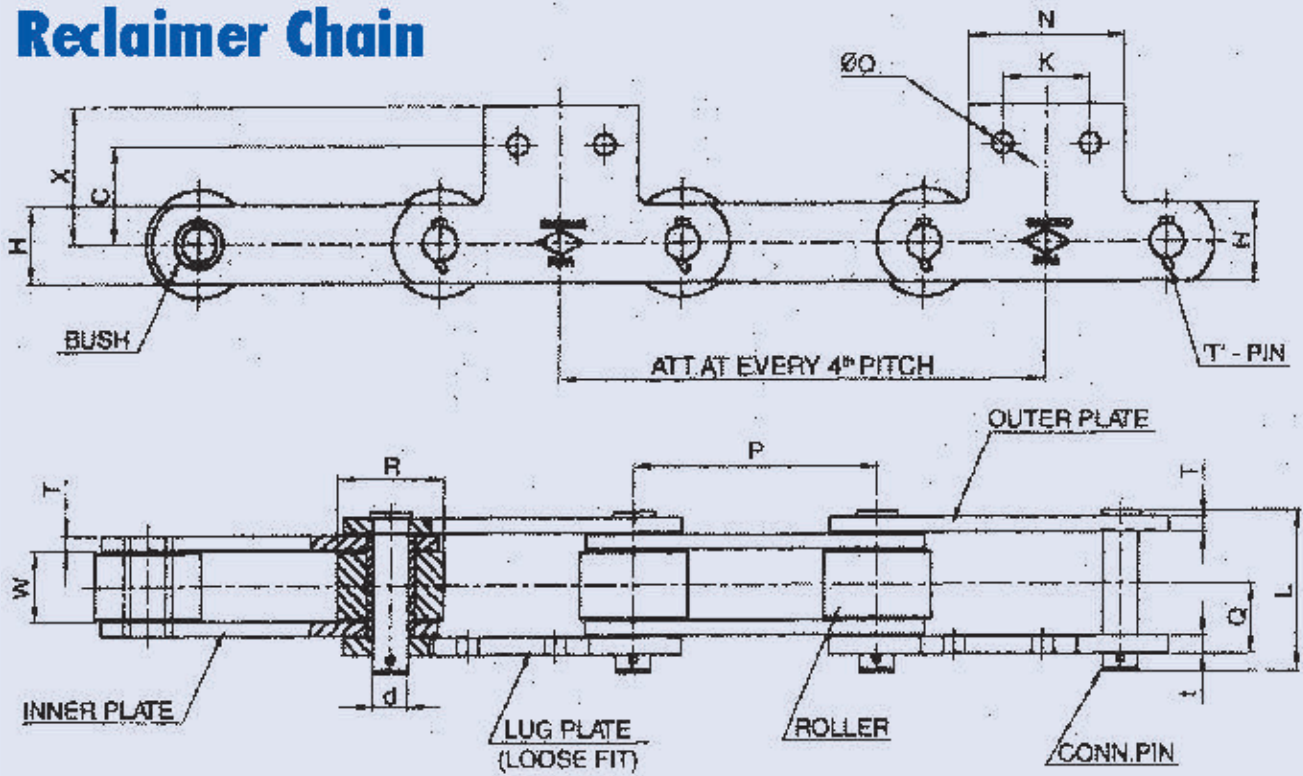
Reclaimer Chain



Diamond Chain No.	Pitch P	Width between Inner plate W	Roller Dia R	Inner Link Plate Size		Outer Link Plate Size		Pin Dia D	Pin Length L	Dist Q	Length N	Pitch K	Hole Dia O	Dist C	Dist X	Min. Tensile Strength Kg.	Weight Per Mtr Kg.
				H	T	H	T										
SP1772	315	70	150	100	15	100	15	36	160	147	190	130	25	117	140	90,000	69
SP1820	250	54	95	75	14	75	14	33	136	60	150	100	25	110	157	60,000	41
SP1980	315	70	130	100	15	100	15	36	162	147	190	130	25	118	140	1,00,000	59
SP1937	315	50	120	80	12	80	12	36	132	125	190	130	21	90	140	50,000	44
SP1926	250	30	64	45	8	45	8	18	80	133	160	100	21	80	130	20,000	18
SP1970	315	70	130	100	15	100	15	36	162	147	190	130	25	117	140	1,00,000	59
SP2027	250	48	100	70	10	70	10	25	114	126	140	90	22	90	110	40,000	44

- Chains developed by TIDC for Reclaimer, are specifically meant for punishing application. The wear members are manufactured using specially drawn alloy steel material and are specially heat treated to resist abrasive wear.
- TIDC offers superior tensile and fatigue strength compared to other chain manufacturers.
- No doubt more and more Cement Companies turn to TIDC for their Reclaimer Application.
- TIDC offers customized solutions for your Reclaimer Chain Problems.

Reclaimer Chain



Diamond Chain No.	Pitch P	Width between Inner plate W	Roller Dia R	Inner Link Plate Size		Outer Link Plate Size		Lug Plate Size T	Pin Dia D	Pin Length L	Dist Q	Length N	Pitch K	Hole Dia O	Dist C	Dist X	Min. Tensile Strength Kg.	Weight Per Mtr Kg.
				H	T	H	T											
CE296	250	54	85	70	10	70	10	12	26	115	60.5	190	90	22	80	110	40,000	18
CE449	250	35	85	60	8	60	8	12	28	88	42	200	130	21	95	120	20,000	15
CE450	315	37	120	90	12	90	12	14	36	128	52	200	130	25	120	150	50,000	18
CE500	250	37	64	57	10	57	10	12	21	95	40	160	90	21	90	130	40,000	15
CE506	250	56	115	100	20	100	20	22	30	163	72	220	160	25	120	150	70,000	52
CE614	250	95	115	100	20	100	20	22	40	174	70	280	210	25	88	120	1,00,000	40
SP1675	250	54	85	70	10	70	10	10	26	112	50	190	140	21	85	110	40,000	28
SP1676	315	60	115	100	12	100	12	12	36	130	65	250	200	21	105	130	75,000	47
SP1688	250	37	64	57	10	57	10	12	21	93	60	160	90	21	80	120	40,000	18
SP1701	250	57	105	90	18	90	18	20	36	168	67	160	90	26	80	120	1,10,000	56
SP1709	250	54	85	75	10	75	10	12	28	115	52	160	90	21	95	135	60,000	23
SP1744	250	41	75	65	12	65	12	12	28	113	65	160	100	21	65	100	40,000	29
SP1748	250	56	95	77	14	77	14	14	30	138	77	180	100	23	77	117	75,000	45
SP1816	250	37	64	57	10	50	10	12	21	95	40	160	90	21	130	90	40,000	32
SP1817	250	54	95	80	14	80	14	16	30	139	59	160	90	21	100	140	80,000	30
SP1852	250	50	90	70	12	70	12	25	30	136	65	200	120	35	120	160	45,000	35
SP1871	315	50	80	70	16	70	16	18	32	140	62	160	90	23	118	80	50,000	30
SP1879	315	60	120	80	16	80	16	18	36	160	65	200	130	25	120	155	63,000	52
SP1927	250	56	112	100	20	100	20	22	40	167	72	225	158	26	120	150	1,00,000	40
SP2029	250	70	110	85	15	85	15	18	36	163	60	160	90	22	100	140	1,00,000	47