

ABOUT THE COMPANY

TIDC India Limited is a member of the highly diversified Murugappa Group of Companies with a turnover of about Rs.7500 crores. The company was established in 1960 in collaboration with Diamond Chain Company USA. The ongoing collaboration has resulted in constant inflow of latest chain technology. The continuous pursuit of excellence in quality has resulted in market leadership in the chain industry.

TIDC has been practising TQM since inception and its multi locational units are certified for ISO 9001 / QS9000 / API 7F. Over 40% of its turnover is exported to all continents. TIDC won the prestigious Golden Peacock Award for excellence in TQM practices in 1998.

THE TSUBAKI EDGE

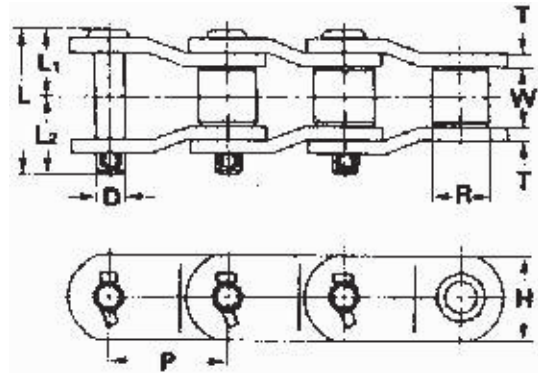
TIDC ventured into the Engineering Class Chain business in the 80's and have been setting standards in this business. In pursuit of rapid growth, TI Diamond has joined hands with Tsubakimoto Chain Co. - Japan the world leaders in the chain business. And now, TIDC provide you with the state-of-the-art technology and world class quality in association with Tsubaki.

FEATURES

Diamond "DO" heavy duty chains (generally confirming to Tsubaki RO series chains) have been designed for use in cranes, Oil rigs, Power showels & hoist, road building machinery and construction equipment.

TROUBLE FREE PERFORMANCE

Special selection of pure alloy steels, unique manufacturing methods / processes with state-of-the art facilities coupled with strict heat treatment cycles result in superior wear resistance, tensile and fatigue strength capable of meeting severe operating conditions.



• All dimensions are in mm.

Diamond Chain No.	Eqvt. Tsubaki Chain No.	Pitch	Average Tensile Strength Kgs.	Approx. Mass Kg./m	Width between Roller Link Plates	Roller		Slide Plate		Bearing Pin			
						R	T	H	D	L	L1	L2	
		P			W								
DO3140	-	44.45	24,000	7.7	25.4	25.40	5.6	43.2	12.15	62.6	28.55	34.05	
DO3160	-	50.80	30,500	10.0	31.75	28.58	6.4	49.2	13.73	72.3	33.40	38.90	
DO1613AK	-	50.80	31,750	11.3	31.5	28.58	8.1	42.9	15.06	78.0	36.20	41.80	
DO3180	-	57.15	36,300	14.3	36.4	35.72	7.2	54.0	17.46	81.0	37.30	43.70	
DO25H	-	63.50	39,700	13.7	38.1	31.75	9.5	41.5	15.88	92.5	43.05	49.45	
DO1625	-	63.50	43,000	16.3	38.9	39.69	8.0	60.3	19.80	89.7	41.40	48.30	
DO588	-	66.27	14,700	5.4	28.6	22.23	6.4	28.6	11.11	67.0	32.00	35.00	
DO568	-	77.90	52,400	17.7	40.1	41.28	9.5	54.0	19.05	97.0	45.05	51.95	
DO568-T	-	77.90	50,000	17.7	40.1	41.28	9.5	54.0	19.05	97.0	45.05	51.95	
DO3	-	78.11	27,700	10.5	38.1	31.75	8.0	38.0	15.88	86.5	40.05	46.45	
DO3H*	RO3H	78.11	39,700	12.4	38.1	31.75	9.5	41.5	15.88	92.5	43.05	49.45	
DO3125	-	79.38	52,000	18.8	41.2	41.28	9.5	54.0	20.32	99.5	45.90	53.60	
DO1616	-	88.90	63,500	23.9	38.6	44.45	12.7	54.0	22.23	111.7	51.60	60.10	
DO3924T	-	99.21	118,000	45.0	38.4	57.15	14.3	82.6	30.16	121.0	56.85	64.15	
DO5	-	103.20	63,500	19.9	38.6	44.45	12.7	54.0	22.23	111.7	51.60	60.10	
DO4	-	103.20	63,500	21.0	49.1	44.45	12.7	54.0	22.23	122.2	56.85	65.35	
DO4HF	-	103.20	80,300	23.2	49.2	44.45	16.0	59.0	22.23	135.7	63.60	72.10	
DO4HF-T	-	103.20	69,000	23.2	49.2	44.45	16.0	59.0	22.23	135.7	63.60	72.10	
DO1245	-	103.45	84,600	27.2	49.2	45.24	14.5	60.0	23.80	130.0	60.25	69.75	
DO1245T	-	103.45	77,000	27.2	49.2	45.24	14.5	60.0	23.80	130.0	60.25	69.75	
DO1343	-	103.89	105,000	31.9	49.2	47.63	14.5	70.0	25.40	132.0	62.25	69.75	
DO1343T	-	103.89	86,500	21.9	49.2	47.63	14.5	70.0	25.40	132.0	62.25	69.75	
DO1345	-	103.89	105,000	32.9	49.2	50.80	14.5	70.0	25.40	132.0	62.25	69.75	
DO1345T	-	103.89	86,500	32.9	49.2	50.80	14.5	70.0	25.40	132.0	62.25	69.75	
DO635*	RO635	114.30	113,000	38.3	52.4	57.15	14.5	76.0	27.90	135.5	64.25	71.25	
DO1634A	-	127.00	109,000	39.8	58.7	63.50	14.5	76.0	28.63	141.5	67.40	74.10	
DO1602AA	-	127.00	156,000	52.3	70.0	63.50	16.0	90.0	31.75	161.2	77.05	84.15	
DO6042	-	152.40	207,000	71.3	76.3	76.20	19.0	101.6	38.10	184.0	86.70	97.30	

Note: * DO 3H & DO 635 are currently manufactured under Tsubaki Technology •All links are cottered type with headed pins.

• TIDC is entitled to introduce design change without prior notice.

FACTORY/HEAD OFFICE MARKETING

TIDC INDIA (Unit of Tube Investments of India Limited) PB No. 11, Ambattur Chennai 600 053

Tel: 044-4223 5506 / 5508 Fax: 044-4223 5516 / 5556 e-mail: sriramb@tidc.murugappa.com

Please visit our website www.tidiamond.com